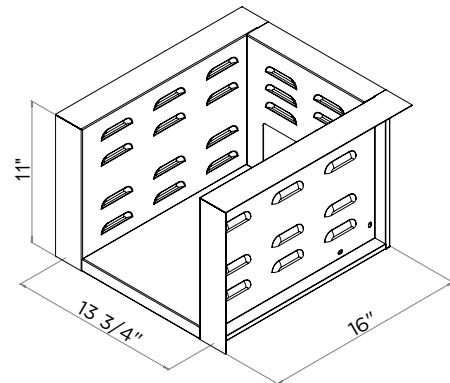
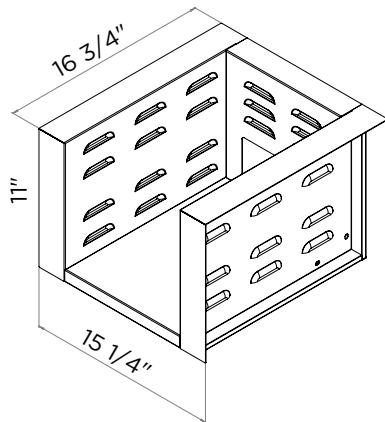
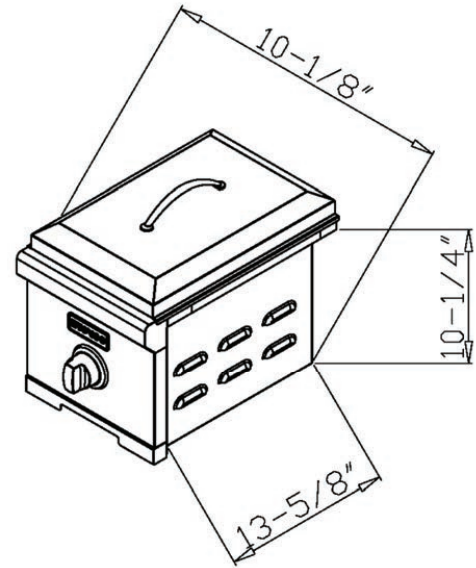
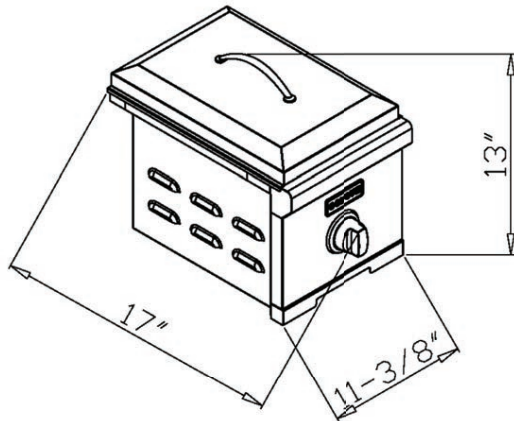


C1SB INSTALL GUIDE

DIMENSIONAL RENDERINGS



Overall Product Dimensions			
Model No.	Height	Width	Depth
C1SB	13"	11 3/8"	17"
CJAKTC1SB	11"	15 1/4"	16 3/4"

Cutout Dimensions for Island			
Model No.	Height	Width	Depth
C1SB	10 1/4"	10 1/8"	13 5/8"
CJAKTC1DB	11"	13 3/4"	16"

Model No.	Gas Supply	BTU's	Regulator	WC Pressure	Max PSI	Electrical Requirements
C1SBLP	Propane	15,000	20 lb Tank Regulator	11"	.5 PSI	No Electrical Connections Required
C1SBNG	Natural Gas	15,000	1/2" Female Pipe	4"	.5 PSI	No Electrical Connections Required

Important Note to Installer: This file is not intended to replace your Owners' Manual which contains specific safety requirements and consumer guidelines. Please refer to your Owners' Manual prior to installing or operating your built-in side burner.

