

## Model No. C1C36



### Features:

- Four high performance Coyote iBurners™
- 875 sq. in. cooking area
- Up to 80,000 BTU
- Complete 304 stainless steel construction
- Interior grill lighting
- Integrated wind guard

### Dimensions:

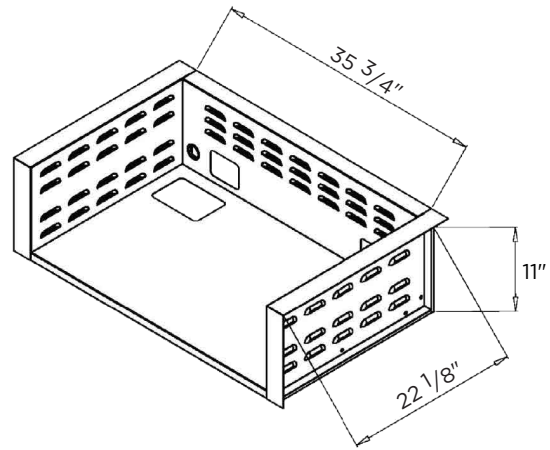
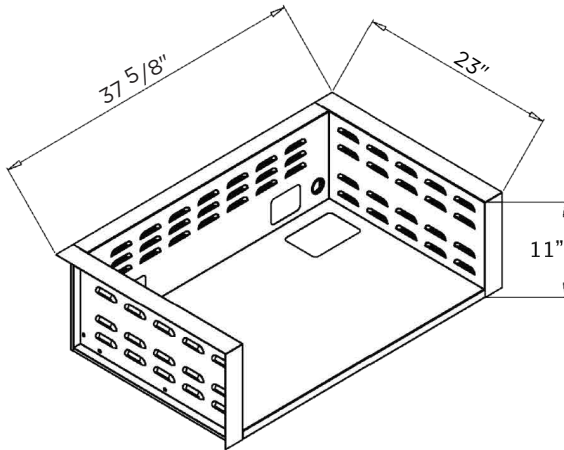
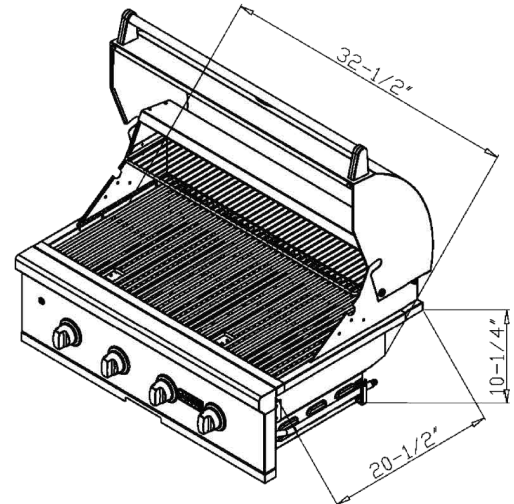
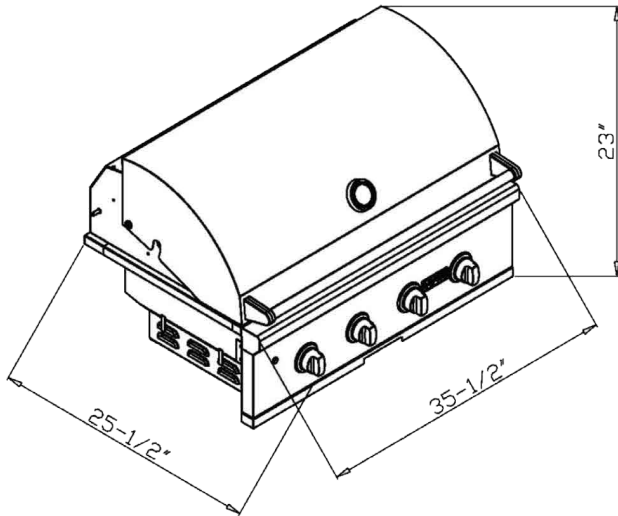
- Cutout: (H) 10 1/4" X (W) 32 1/2" X (D) 20 1/2"
- Overall: (H) 23" X (W) 35 1/2" X (D) 25 1/2"

### Accessories:

- Laser-Cut Signature Grates (CSIGRATE12)
- Charcoal trays (CCHTRAY12)
- 14" stainless steel griddle (C1GRDL)
- Stainless steel cart available
- Custom fit, weather resistant cover
- Insulated jacket
- Gas conversion kit

# C1C36 PRODUCT SPECS

## DIMENSIONAL RENDERINGS



Overall Product Dimensions			
Model No.	Height	Width	Depth
C1C36	23"	35 1/2"	25 1/2"
CJAKTCS36	11"	37 5/8"	23"

Cutout Dimensions for Island			
Model No.	Height	Width	Depth
C1C36	10 1/4"	32 1/2"	20 1/2"
CJAKTCS36	11"	35 3/4"	22 1/8"

✓ When using a Coyote insulated jacket, you will want to build your island to the jacket's Cutout and Overall Dimensions listed above (detailed on 2nd page). Once the jacket is installed, the grill will rest on/inside the insulated jacket

Model No.	Gas Supply	BTU's	Regulator	WC Pressure	Max PSI	Electrical Requirements
C1C36LP	Propane	80,000	20 lb Tank Regulator	11"	.5 PSI	Qty 1 - 120 VAC 60 Hz Grounded Plug
C1C36NG	Natural Gas	80,000	1/2" Female Pipe	4"	.5 PSI	Qty 1 - 120 VAC 60 Hz Grounded Plug

**Important Note to Installer:** This file is not intended to replace your Owners' Manual which contains specific safety requirements and consumer guidelines. Please refer to your Owners' Manual prior to installing or operating your built-in grill.